



SUS
stainless

Outer diameter Stroke
M 16 × 12 mm

Outer diameter Stroke
M 20 × 16 mm

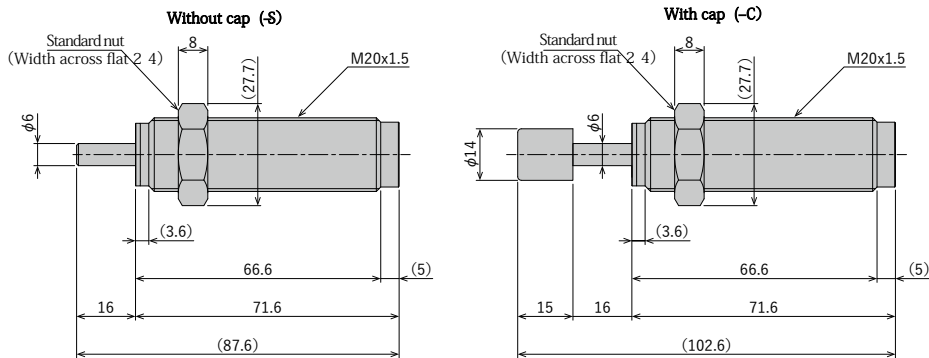
●Specifications are subject to change without notice.

F
Fixed

FNJ-2016H Series



Dimension



Specifications

Model	Screw pitch	Nut pc(s)	Stroke mm	Max. absorption energy J(kgf·m)	Max. equivalent mass kg(kgf)	Range of impact rate m/s	Max. drag N(kgf)	Max. cycle rate cycle/min	Recovering power of piston rod N(kgf)	Operating temperature °C	eccentric Allowable angle °	Weight g	Orifice type	Oil type
FNJ-2016H-S	M20×1.5	1	16	33 (3.37)	25 (25)	0.05~3.0	6,000 (612)	60	21.4 (2.18)	-5~70	±1	118.4	Groove orifice	Food grade machinery oil
FNJ-2016H-C		2										123.4		
FNJ-2016H-S-F	M20×1.5	2										130.5		
FNJ-2016H-C-F												135.5		

Materials

Body	Piston rod	Nut	Cap
	SUS		POM

Optional Parts

Model	Weight (g)
M20 SUS nut	12.1
FNJ-2016L-S	
FNJ-2016L-C	