



SUS
stainless

Outer diameter Stroke
M 16 × 12 mm

Outer diameter Stroke
M 20 × 16 mm

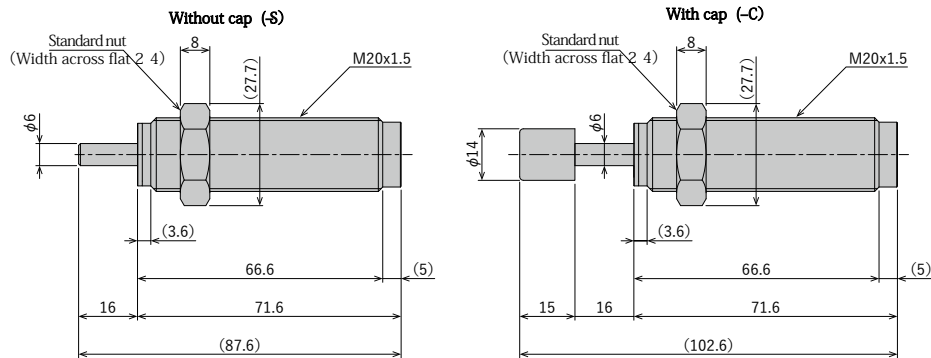
●Specifications are subject to change without notice.

F
Fixed

FNJ-2016L Series



Dimension



Specifications

| Model | Screw pitch | Nut pc(s) | Stroke mm | Max. absorption energy J(kgf·m) | Max. equivalent mass kg(kgf) | Range of impact rate m/s | Max. drag N(kgf) | Max. cycle rate cycle/min | Recovering power of piston rod N(kgf) | Operating temperature °C | eccentric Allowable angle ° | Weight g | Orifice type | Oil type |
|---------------|-------------|-----------|-----------|---------------------------------|------------------------------|--------------------------|------------------|---------------------------|---------------------------------------|--------------------------|-----------------------------|----------|----------------|--------------------------|
| FNJ-2016L-S | M20×1.5 | 1 | 16 | 33 (3.37) | 230 (230) | 0.05~2.0 | 6,000 (612) | 60 | 21.4 (2.18) | -5~70 | ±1 | 118.4 | Groove orifice | Food grade machinery oil |
| FNJ-2016L-C | | | | | | | | | | | | 123.4 | | |
| FNJ-2016L-S-F | M20×1.5 | 2 | | | | | | | | | | 130.5 | | |
| FNJ-2016L-C-F | | | | | | | | | | | | 135.5 | | |

Materials

| Body | Piston rod | Nut | Cap |
|------|------------|-----|-----|
| | SUS | | POM |

Optional Parts

| Model | Weight (g) |
|-------------|------------|
| M20 SUS nut | 12.1 |
| FNJ-2016L-S | |
| FNJ-2016L-C | |