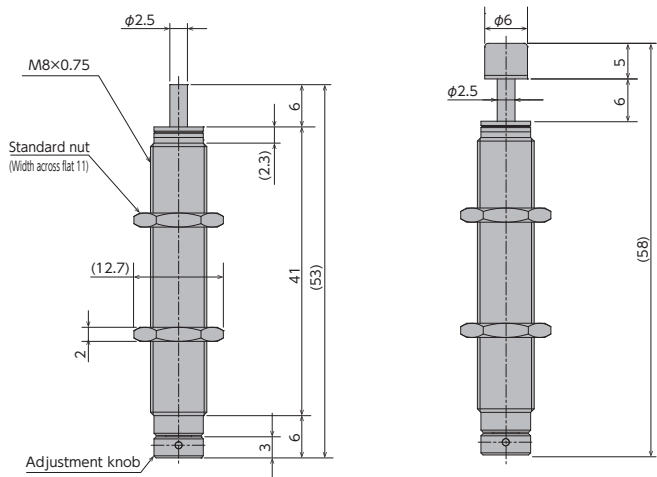


# Soft Absorber

## FA-0806 Series



## Specifications

Model	Stroke mm	Max. absorption energy J (kgf·m)	Max. equivalent mass kg (kgf)	Range of impact rate m/s	Orifice type
FA-0806-S	6	1.4 (0.14)	15 (15)	0.3~2	Single-orifice type
FA-0806-C					
FA-0806-S-P1.0					
FA-0806-C-P1.0					

Note: There are no optional parts for M8 x 1.0.

Note) To place an order without a cap, put -S at the end of the model number, and to place an order with a cap, put -C at the end of the model number.

## Common Specifications

Max. drag	N (kgf)	670 (68.3)	Operating temperature	°C	-5~70
Max. cycle rate	cycle/min	45	Mass :S type	g	13.8
Max. absorption energy per minute	J/min (kgf·m/min)	36.7 (3.74)	:C type	g	14.1
Recovering power of the piston rod	N (kgf)	9 or lower (0.92)			

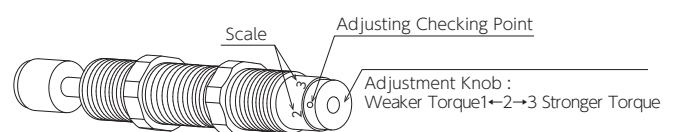
## Absorption characteristics

Orifice type	Single-orifice type
Model number	FA-0806 Series
Application	For low to medium speed
Absorption characteristics	

## Precautions for Use

- \* Do not use this product without carefully reading the attached owner's manual.
- \* We recommend that you use it with an external stopper (Stopper nut OP-020SB).
- \* Ensure that sufficient mounting strength is secured for this product. (As a guideline, it should be 2 to 3 times the maximum drag listed in the catalogue.)
- \* Do not use this product in a vacuum or a location where it may come in contact with oil.
- \* Ensure that an eccentric load is not applied to the soft absorber. (Allowable eccentric angle: within  $\pm 2.5^\circ$ )

## Adjustment Method



- \* To adjust, turn the adjustment knob.
- \* Because the adjustment can be done in an analog manner, a value between two integers on the indicator can be set.
- \* It does not have a lock screw for locking the adjusted setting.

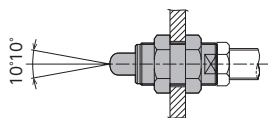
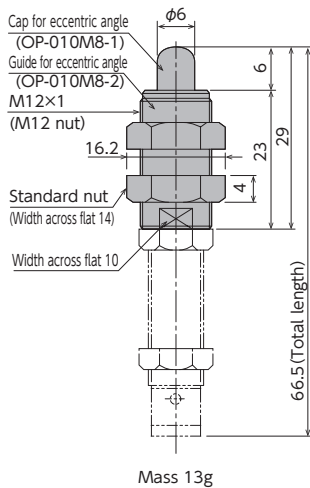
● Products specification might be changed without notice.

## Optional Parts

### Eccentric angle adaptor OP-010M8

Model
OP-010MB

- Screw the eccentric angle adaptor into the main unit until the cap for the eccentric angle and the piston rod form a tight connection. While maintaining this position, fasten the main unit's nut until secured.
- Use the eccentric angle adaptor when the eccentric angle is 2.5° or larger.
- The main unit can also be used as a stopper.
- Use it with FA-0806-S.
- The maximum operating eccentric angle with an eccentric angle adaptor is ±10°.
- The maximum inclination angle using an inclination angle adapter is ±10°
- The caps and the guides for inclined use are not unbundled.

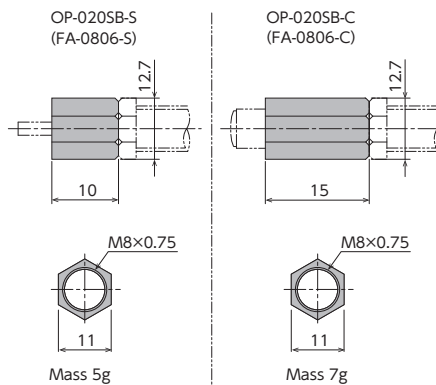


Note) Material of cap for eccentric angle: POM

### Stopper nut OP-020SB

Model
OP-020SB-S
OP-020SB-C

- Adjust so that it stops 1mm before the stroke end, and fasten with the main unit's nut until secured.

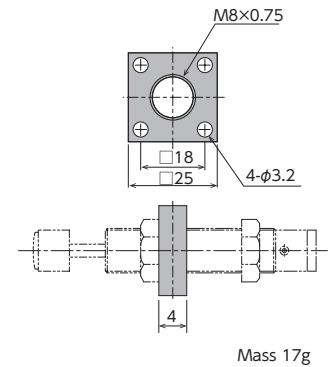


Note) When attaching, make sure that the side without a bearing chamfer is the impact surface.

### Square flange OP-040SB

Model
OP-040SB

- Once the attachment site is determined, use the main unit's nut to securely fasten in place.



Standard nuts are sold separately as well.

Applicable Models	Model
FA-0806-S/C	M08 nut
FA-0806-S/C-P1.0	M08-P1.0 nut