

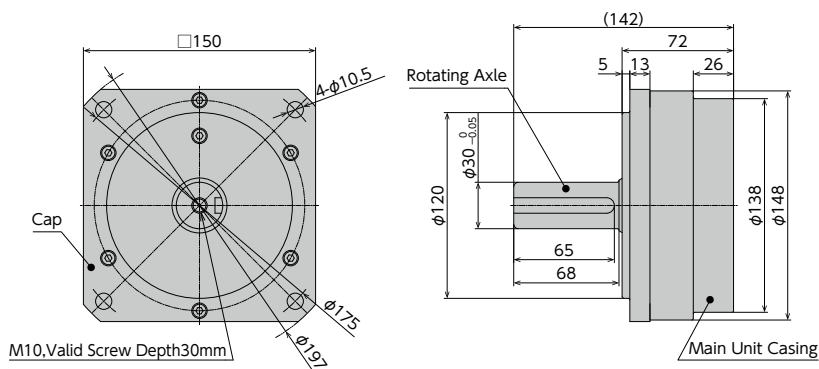
Rotary Damper

Customized orders
Bi-Directional
Uni-Directional
Fixed Type
Adjustable type
Self-adjusting

FRT-W1

RoHS Compliant

● Products specification might be changed without notice.



Specifications

Model	Rated torque	Damping direction
FRT-W1-105	100±20N·m	Both directions
FRT-W1-185	180±40N·m	Both directions

Note 1) Rated torque measured at a rotation speed of 20rpm at 23°C

- * Max. rotation speed 50rpm
- * Max. cycle rate 1.5cycle /min
- * Operating temperature -20 ~60°C
- * Weight 6g
- * Main body material SUS304
- * Cap material A2017
- * Rotating (shaft) material SUS420
- * Oil typel Silicone oil

Damper Characteristics

1. Speed characteristics

A rotary damper's torque varies according to the rotation speed. In general, as shown in the graph to the right, the torque increases as the rotation speed increases, and the torque decreases as the rotation speed decreases. In addition, please note that the starting torque slightly differs from the rated torque.

2. Temperature characteristics

A rotary damper's torque varies according to the ambient temperature. In addition, as shown in the graph to the right, the torque decreases as the ambient temperature increases, and the torque increases as the ambient temperature decreases. This is because the viscosity of the silicone oil inside the damper varies according to the temperature. When the temperature returns to normal, the torque will return to normal as well.

