

# Soft Absorber

U Packing Seal

Fixed Type

Adjustable type

Self-adjusting

FPA-1475 Series

RoHS Compliant

● Products specification might be changed without notice.

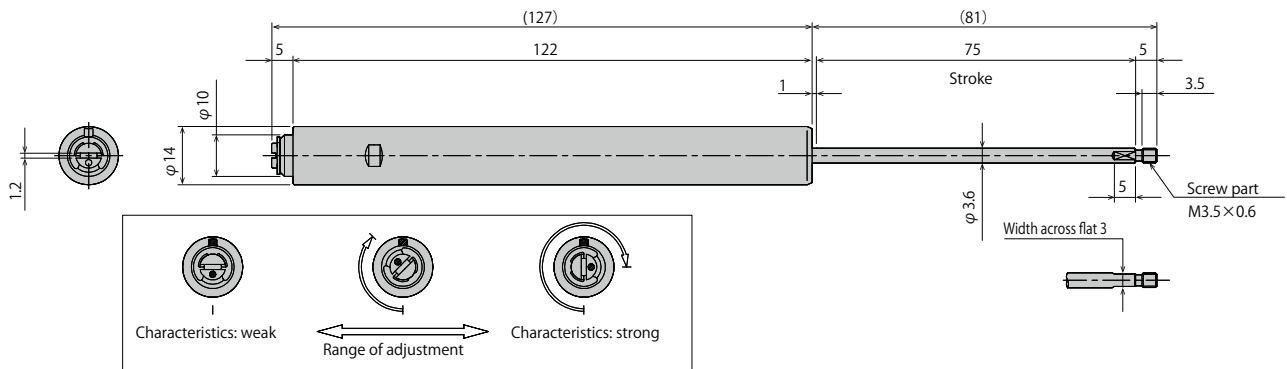


## Model Description

F P A — 1 4 7 5 B 1 — S W  
①                      ②                      ③                      ④                      ⑤                      ⑥

- ① Series name
- ② External diameter
- ③ Stroke
- ④ For self-returning                      B : Without self-returning  
With/Without spring
- ⑤ Symbols indicating characteristics
- ⑥ Symbols indicating form              SW : Without cap

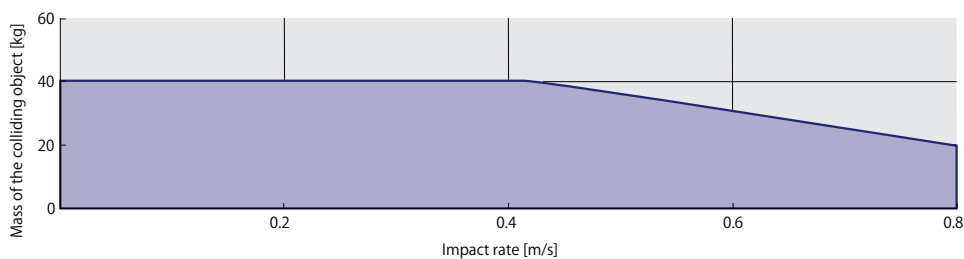
## 外形图



## Specifications

Model	Stroke [mm]	Mass [g]	Main unit material	Range of impact rate [m/s]	range of operating temperature [°C]	Range of storage temperature [°C]
FPA-1475B1-SW	75	38	Resin	0.8 or lower	5~40	-10~50

## Graph of Impact Rate/Mass of Colliding Object with the Condition of Horizontal Impact and No Thrust



## Precautions for Use

- \* The series do not have the self-returning function. The piston rod needs to be pulled out by external forces.
- \* Use the product with the external stopper within the stroke range.
- \* Ensure that sufficient mounting strength is secured for this product.
- \* Do not use this product in a vacuum or a location where it may come in contact with oil.
- \* Ensure that an eccentric load (lateral load) is not applied to the soft absorber.
- \* When the gap between the pressing time and the returning time of the piston rod is large, the durability may be affected. Confirm its performance in an actual machine before use.