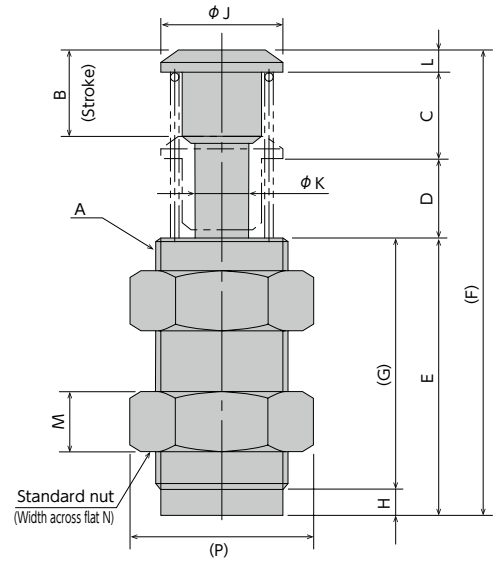


Soft Absorber

Emergency Absorber Variable-Groove Orifice
Fixed Type Adjustable type Self-adjusting

FED Series

●Products specification might be changed without notice.



Dimensions

Model	A	B	C	D	E	F	G	H	J	K	L	M	N	P
FED-2010M-C	M20×1.5	10	11	14	37.5	62.5	30.5	7	16	8	3	8	24	27.7
FED-3020M-C	M30×1.5	20	25	18	64	107	58	6	28	12	5	14	36	41.6

Specifications

Model	Stroke mm	Max. absorption energy J (kgf·m)	Max. equivalent mass kg (kgf)	Range of impact rate m/s	Max. drag N (kgf)	Recovering power of the piston rod N (kgf)	Operating temperature °C	Mass g
FED-2010M-C	10	19.6 (2.0)	30 (30)	0.5~2	6,860 (700)	41.2 (4.2) or lower	-5~70	79
FED-3020M-C	20	98 (10)	140 (140)		11,760 (1,200)	68.6 (7.0) or lower		350

* This product is an affordable compact soft absorber for emergencies.

* Light weight - made of aluminum.

* As an emergency absorber, it will last for approximately 100 uses.

Precautions for Use

- * Do not use this product without carefully reading the attached owner's manual.
- * Ensure that sufficient mounting strength is secured for this product. (As a guideline, it should be 2 to 3 times the maximum drag listed in the catalogue.)
- * Never apply eccentric load to the piston rod. In particular, when using in a rotating motion, the distance between the rotational centre of the impacted part and the mounted soft

absorber should be at least 12 times the stroke length. The soft absorber should also be mounted so that it is perpendicular halfway through the stroke.

- * Do not over-tighten the standard nut. (Tightening torque: 14.7H·m)
- * Do not use this product in a vacuum or a location where it may come in contact with oil.
- * Please use with an external stopper

Standard nuts are sold separately as well.

Applicable model	Model
FED-2010M	M20 nut Black
FED-3020M	M30 nut Black