

# Soft Absorber

Single-orifice	Multiple-orifice
Fixed Type	Adjustable type
	Self-adjusting

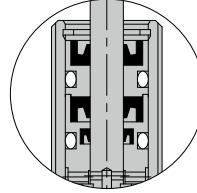
FA-L series (Anti water-soluble coolant specification)

RoHS Compliant

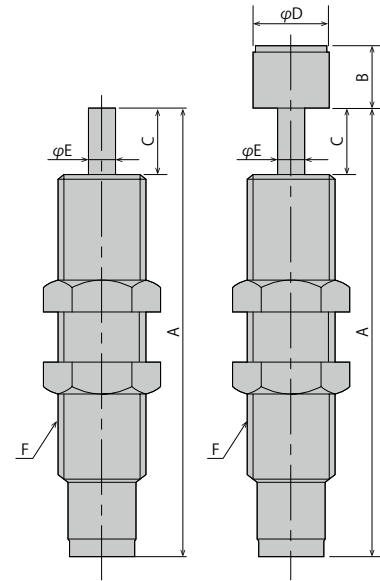
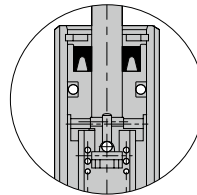
● Products specification might be changed without notice.



Anti-coolant specifications



Standard product



## Dimensions

Model	A	B	C	D	E	F	Mass g	Specification Page
FA-L1008V□-S	73.2	6.3	8	6	2.4	M10×1	31	48
FA-L1008V□-C							32	48
FA-L1210M□-S	82.6	8	10	8	3.5	M12×1	48	50
FA-L1210M□-C							51	50
FA-L1410R□-S	87	8	10	10	5	M14×1.5	71	52
FA-L1410R□-C							76	52
FA-L1612X□-S	107.7	15	12	13.5	6	M16×1.5	111	54
FA-L1612X□-C							120	54
FA-L2016E□-S	120	17	16	18	8	M20×1.5	197	58
FA-L2016E□-C							219	58
FA-L2530G□-S	155	18	30	22	8	M25×1.5	396	62
FA-L2530G□-C							426	62
FA-L2725F□-S	142.2	20	25	23	8	M27×1.5	429	68
FA-L2725F□-C							478	68

Note) B or D is inserted in the □. Insert B for a single-orifice type, and insert D for a multiple-orifice type.

## Specifications

\* The specification is identical with the standard models for each type

## Precautions for Use

- \* Lifecycles will be dependant upon the types and amount of anti-coolant liquids used. We strongly recommend you to conduct tests in advance to ensure that the product meets your application requirements.
- \* When the piston rod is not pressed all the way down to the stroke end during operation, stop use and exchange the product for the product life. If the product is used continuously, damage of the product may be caused.

\* This product has a unique packing structure. Because of this, using this product in places where the piston rod remains dry may cause the inside oil to leak early on in its product life.

\* If you use the optional parts, please contact our sales department.

# Soft Absorber

Multiple-varying orifice

Fixed Type

Adjustable type

Self-adjusting

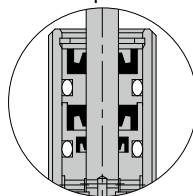
FWM-L (Anti water soluble coolant specification)

RoHS Compliant

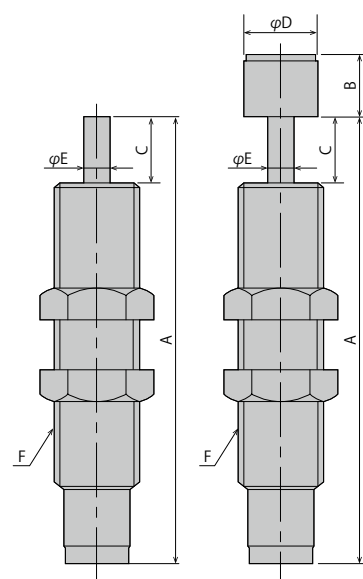
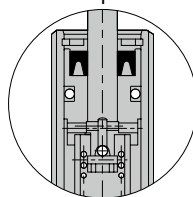
●Products specification might be changed without notice.



Anti-coolant specifications



Standard product



## Dimensions

Model	A	B	C	D	E	F	Mass g	Specification Page
FWM-L1008VBD-S	73.2	6.3	8	6	2.4	M10×1	31	48
FWM-L1008VBD-C							32	48
FWM-L1210MBD-S	82.6	8	10	8	3.5	M12×1	48	50
FWM-L1210MBD-C							51	50
FWM-L1410RBD-S	87	8	10	10	5	M14×1.5	71	52
FWM-L1410RBD-C							76	52
FWM-L1612XBD-S	107.7	15	12	13.5	6	M16×1.5	111	54
FWM-L1612XBD-C							120	54
FWM-L2016EBD-S	120	17	16	18	8	M20×1.5	197	58
FWM-L2016EBD-C							219	58
FWM-L2530GBD-S	155	18	30	22	8	M25×1.5	396	62
FWM-L2530GBD-C							426	62
FWM-L2725FBD-S	142.2	20	25	23	8	M27×1.5	429	68
FWM-L2725FBD-C							478	68

## Specifications

\* The specification is identical with the standard models for each type

## Precautions for Use

- \* Lifecycles will be dependant upon the types and amount of anti-coolant liquids used. We strongly recommend you to conduct tests in advance to ensure that the product meets your application requirements.
- \* When the piston rod is not pressed all the way down to the stroke end during operation, stop use and exchange the product for the product life. If the product is used continuously, damage of the product may be caused.

- \* This product has a unique packing structure. Because of this, using this product in places where the piston rod remains dry may cause the inside oil to leak early on in its product life.
- \* If you use the optional parts, please contact our sales department.