

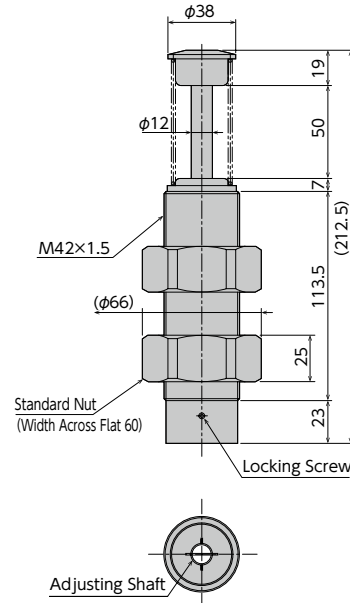
# Soft Absorber

Fixed Type **Adjustable type** Self-adjusting

## FA-4250YD/FWM-4250YBD Series

**RoHS Compliant**

●Products specification might be changed without notice.



## Specifications

Model	Stroke mm	Max. absorption energy J (kgf·m)	Max. equivalent mass kg (kgf)	Range of impact rate m/s	Orifice type
FA-4250YD-C	50	441 (45)	390 (390)	0.7~3	Multiple-orifice type
FWM-4250YBD-C			3,500 (3,500)	0.3~2	Multiple-varying orifice type

## Common Specifications

Max. drag	N (kgf)	27,030 (2,758)	Operating temperature	℃	-5~70
Max. cycle rate	cycle/min	10	Mass : C type	g	1,940
Max. absorption energy per minute	J/min (kgf·m/min)	2,744 (280)			
Recovering power of the piston rod	N (kgf)	83.3 (8.5) or lower			

**Selection Guideline** FA-4250 series has the following three patterns of absorption characteristics depending on the orifice type. Please use the following information as a guideline when making your selection.

Orifice type	Multiple-orifice type	Multiple-varying orifice type
Model number	FA-2725FD series	FWM-2725FBD series
Application	For high-speed	For medium speed, in particular with a pneumatic cylinder
Absorption characteristics		

## Precautions for Use

- \* Do not use this product without carefully reading the attached owner's manual.
- \* We recommend that you use it with an external stopper.
- \* Ensure that sufficient mounting strength is secured for this product. (As a guideline, it should be 2 to 3 times the maximum drag listed in the catalogue.)
- \* Do not use this product in a vacuum or a location where it may come in contact with oil.
- \* Ensure that an eccentric load is not applied to the soft absorber. (Allowable eccentric angle:  $\pm 2.5^\circ$ )

## Adjustment Method

- \* To adjust, turn the adjustment knob with a slotted screw driver.
- \* Because the adjustment can be done in an analog manner, a value between two integers on the indicator can be set.
- \* It does not have a lock screw for locking the adjusted setting.

**Standard nuts are sold separately as well.**

Applicable Models	Model
FA-4250YD	M42 nut
FWM-4250YBD	