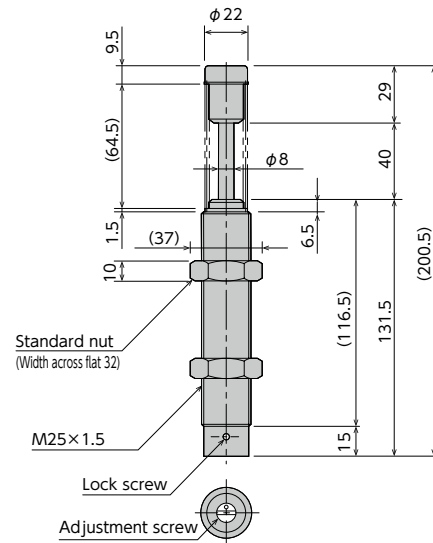


Soft Absorber

FA-2540LB/FA-2540LD/FWM-2540LBD Series



Specifications

Model	Stroke mm	Max. absorption energy J (kgf·m)	Max. equivalent mass kg (kgf)	Range of impact rate m/s	Orifice type
FA-2540LB-C ▲	40	63.7 (6.5)	500 (500)	0.3~1	Single-orifice type
FA-2540LD-C ▲			200 (200)	0.7~3	Multiple-orifice type
FWM-2540LBD-C ▲			350 (350)	0.3~2	Multiple-varying orifice type

▲ Thread pitch P2.0 is supplied as well.

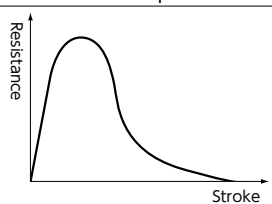
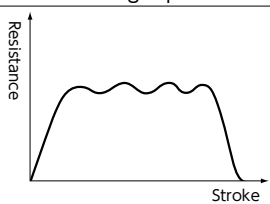
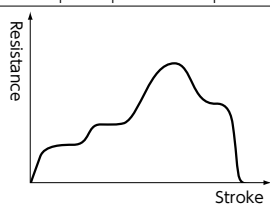
Common Specifications

Max. drag	N (kgf)	3,920 (400)	Operating temperature	°C	-5~70
Max. cycle rate	cycle/min	60	Mass : C type	g	475.1
Max. absorption energy per minute	J/min (kgf·m/min)	637 (65)			
Recovering power of the piston rod	N (kgf)	71.4 (7.29) or lower			

Note) M25 X 2.0 is also available as the main unit's screw pitch specifications for the FA-2540 series. Please order using the model number FA-2540L*-C-P.2.0. However, please note that there are no optional parts for it.

Selection Guideline

The FA-FWM-2540 series series has the following three patterns of absorption characteristics depending on the orifice type. Please use the following information as a guideline when making your selection.

Orifice type	Single-orifice type	Multiple-orifice type	Multiple-varying orifice type
Model number	FA-2540LB series	FA-2540LD series	FWM-2540LBD series
Application	For low-speed	For high-speed	For medium speed, in particular with a pneumatic cylinder
Absorption characteristics			

Precautions for Use

- * Do not use this product without carefully reading the attached owner's manual.
- * Ensure that an external stopper (Stopper nut OP-020LB) is also used.
- * Do not turn the oil inlet screw located at the bottom of the main unit.
- * Ensure that sufficient mounting strength is secured for this product. (As a guideline, it should be 2 to 3 times the maximum drag listed in the catalogue.)
- * Do not use this product in a vacuum or a location where it may come in contact with oil.
- * Ensure that an eccentric load is not applied to the soft absorber (Allowable eccentric angle: within $\pm 2.5^\circ$)

Adjustment Method

- * To adjust, turn the adjustment knob with a slotted screw driver.
- * Because the adjustment can be done in an analog manner, a value between two integers on the indicator can be set.
- * It does not have a lock screw for locking the adjusted setting.

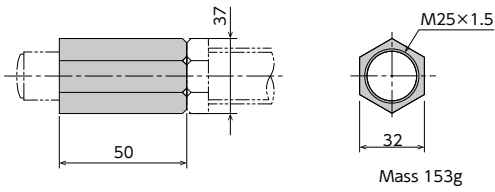
●Products specification might be changed without notice.

Optional Parts

Stopper nut OP-020LB

Model
OP-020LB

- Adjust so that it stops 1mm before the stroke end, and fasten with the main unit's nut until secured.

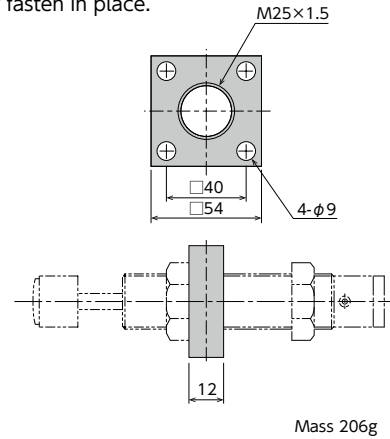


Note) When attaching, make sure that the side without a bearing chamfer is the impact surface.

Square flange OP-040GB

Model
OP-040GB

- Once the attachment site is determined, use the main unit's nut to securely fasten in place.



Standard nuts are sold separately as well.

Applicable Models	Model
FA-2540LB	M25 nut
FA-2540LD	
FWM-2540LBD	
FA-2540LB P2.0	M25-P2 nut
FA-2540LD P2.0	
FWM-2540LBD P2.0	