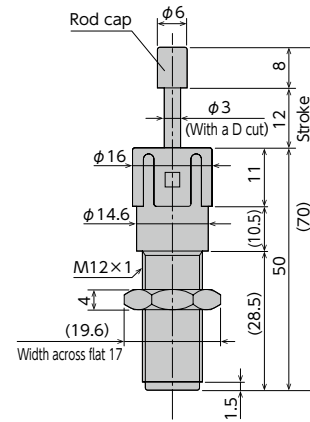


Soft Absorber

FA-1212L Series



Operating Performance

Model	Load (kg)	Thrust (N)	Impact rate (m/s)	Motion-time (sec)	Recovering power of the piston rod (N)	Rod cap color
FA-1212L1-C	3	30	0.7 or lower	0.3~2.0	9以下	White
FA-1212L3-C			0.5 or lower	2.3~4.0		Yellow
FA-1212L5-C			0.3 or lower	4.3~6.0		Red

The performance above is based on the measuring machine of our company. Refer to the above to select the damper, confirm its performance in an actual machine, and finally select the model.

Specifications

Stroke	mm	12
Max. absorption energy	J(kgf·m)	1.5(0.15)
Max. thrust :FA-1212L1	N(kgf)	49(5)
:FA-1212L3	N(kgf)	78(8)
:FA-1212L5	N(kgf)	117(12)
Max. drag	N(kgf)	490(50)
Range of operating temperature	°C	-10~50
Mass	g	15
Main unit material		Resin

Precautions for Use

- * Do not use this product without carefully reading the attached owner's manual.
- * Use with an external stopper.
- * Ensure that sufficient mounting strength is secured for this product.
(As a guideline, it should be 2 to 3 times the maximum drag listed in the catalog.)
- * Do not turn the oil inlet screw located at the bottom of the main unit.
- * 2 or more of this product can be used in parallel.
- * Do not use this product in a vacuum or a location where it may come in contact with oil.
- * Ensure that an eccentric load is not applied to the soft absorber. (Allowable eccentric angle: within $\pm 2.5^\circ$)
- * Do not over-tighten the main unit and nuts. Please use the tightening torque (1.5N·m) listed in the owner's manual.
However, to fix the nut while pressing it against the $\phi 14.6$ part, use the tightening torque of 1 N·m.

●Products specification might be changed without notice.

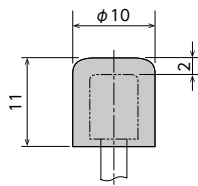
Optional Parts

Muting cap OP-090-M12B/C/D

Model
OP-090-M12B
OP-090-M12C
OP-090-M12D

- A muting cap reduces the collision noise.
- To use, place it over a rod cap in the FA-1212L series.
- Stroke length is 11mm.

B : Black
C : White
D : Gray

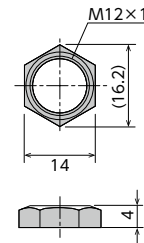


Material: Elastomer

Small hexagon nut M12B

Model
M12B

- It is ideal for tight spaces, as it is smaller than the conventional hexagon nuts.



The standard nut is also sold separately.

Applicable Models	Model
FA-1212L	Nut for FA-1212C