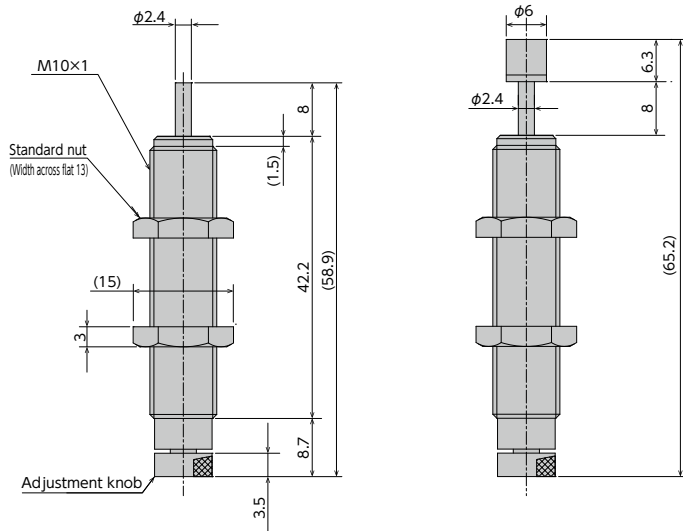


Soft Absorber

FA-1008VB/FA-1008VD/FWM-1008VBD Series



Specifications

Model	Stroke mm	Max. absorption energy J (kgf·m)	Max. equivalent mass kg (kgf)	Range of impact rate m/s	Orifice type			
FA-1008VB-S	8	1.47 (0.15)	10 (10)	0.3~1	Single-orifice type			
FA-1008VB-C								
FA-1008VD-S		1.76 (0.18)	2.5 (2.5)	0.7~3	Multiple-orifice type			
FA-1008VD-C								
FWM-1008VBD-S						10 (10)	0.3~2	Multiple-varying orifice type
FWM-1008VBD-C								

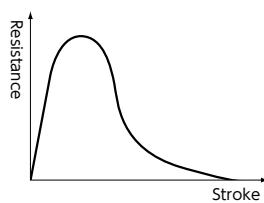
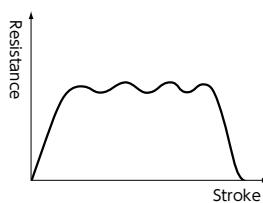
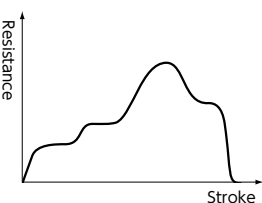
Note) To place an order without a cap, put -S at the end of the model number, and to place an order with a cap, put -C at the end of the model number.

Common Specifications

Max. drag	N (kgf)	637 (65)	Operating temperature	°C	-5~70
Max. cycle rate	cycle/min	60	Mass : S type	g	26.5
Max. absorption energy per minute	J/min (kgf·m/min)	58.8 (6)	: C type	g	27
Recovering power of the piston rod	N (kgf)	5.88 (0.6) or lower			

Selection Guideline

The FA-1008 series has the following three patterns of absorption characteristics depending on the orifice type. Please use the following information as a guideline when making your selection.

Orifice type	Single-orifice type	Multiple-orifice type	Multiple-varying orifice type
Model number	FA-1008VB series	FA-1008VD series	FWM-1008VBD series
Application	For low-speed	For high-speed	For medium speed, in particular with a pneumatic cylinder
Absorption characteristics			

Precautions for Use

- * Do not use this product without carefully reading the attached owner's manual.
- * Ensure that an external stopper (Stopper nut OP-020PB) is also used.
- * Do not turn the oil inlet screw located at the bottom of the main unit.
- * Ensure that sufficient mounting strength is secured for this product. (As a guideline, it should be 2 to 3 times the maximum drag listed in the catalogue.)
- * Do not use this product in a vacuum or a location where it may come in contact with oil.
- * Ensure that an eccentric load is not applied to the soft absorber (Allowable eccentric angle: within $\pm 2.5^\circ$)

Adjustment Method

- * To adjust, turn the adjustment knob.
- * Because the adjustment can be done in an analog manner, a value between two integers on the indicator can be set.
- * It does not have a lock screw for locking the adjusted setting.

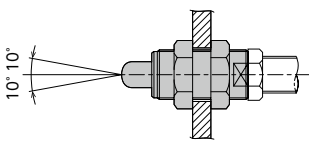
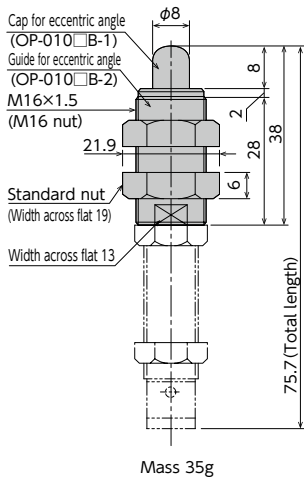
● Products specification might be changed without notice.

Optional Parts

Eccentric angle adaptor OP-010PB

Model
OP-010PB

- Screw the eccentric angle adaptor into the main unit until the cap for the eccentric angle and the piston rod form a tight connection. While maintaining this position, fasten the main unit's nut until secured.
- Use the eccentric angle adaptor when the eccentric angle is 2.5° or larger.
- The main unit can also be used as a stopper.
- Use it with a capless soft absorber.
- The maximum operating eccentric angle with an eccentric angle adaptor is ±10°.
- The caps and the guides for inclined use are not unbundled.

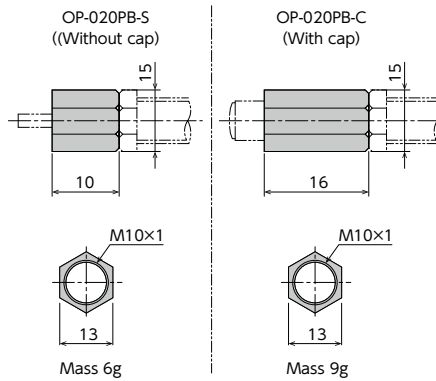


Note) Material of cap for eccentric angle: POM

Stopper nut OP-020PB-□

Model
OP-020PB-S
OP-020PB-C

- Adjust so that it stops 1mm before the stroke end, and fasten with the main unit's nut until secured.

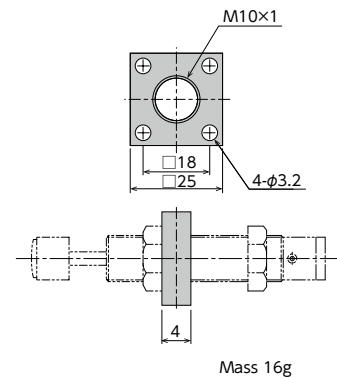


Note) When attaching, make sure that the side without a bearing chamfer is the impact surface.

Square flange OP-040PB

Model
OP-040PB

- Once the attachment site is determined, use the main unit's nut to securely fasten in place.



Standard nuts are sold separately as well.

Applicable Models	Model
FA-1008VB	M10 nut
FA-1008VD	
FWM-1008VBD	