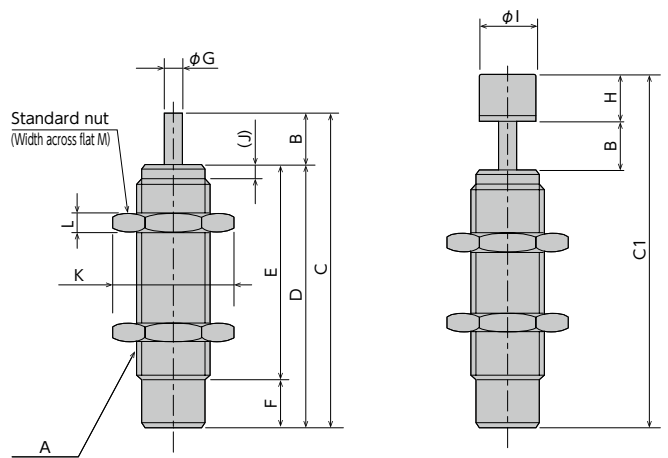


# Soft Absorber

## FA-0805/FA-1005/FA-1008/FA-1210 Series



### Dimensions

Model	A	B	C	C1	D	E	F	$\phi G$	H	$\phi I$	J	K	L	M
FA-0805SB*-S/C	M8×0.75 (M8×1)	5	32	37	27	22	5	2	5	6	1.5	12.7	2	11
FA-1005PMB*-S/C	M10×1	5	32	39	27	22	5	3	7	6	1.5	15	3	13
FA-1008PB*-S/C	M10×1	8	46	53	38	33	5	3	7	6	1.5	15	3	13
FA-1210KB*-S/C	M12×1	10	60	68	50	45	5	3.5	8	8	1.5	16.2	4	14

### Specifications

Model	Stroke mm	Max. absorption energy J (kgf·m)	Max. equivalent mass kg (kgf)	Max. drag N (kgf)	Absorption energy per minute J/min (kgf·m/min)	Recovering power of the piston rod N (kgf)	Mass g
FA-0805SB1-S ▲	5	0.39(0.04)	3(3)	490(50)	17.6(1.8)	4.9 or lower (0.5)	8.6
FA-0805SB1-C ▲							8.8
FA-0805SB2-S ▲							8.6
FA-0805SB2-C ▲							8.8
FA-1005PMB1-S	5	0.68(0.07)	5(5)	735(75)	41.1(4.2)	5.88 or lower (0.6)	13.2
FA-1005PMB1-C							14.2
FA-1005PMB2-S							13.2
FA-1005PMB2-C							14.2
FA-1008PB1-S	8	0.98(0.1)	7(7)	735(75)	58.8(6.0)	5.88 or lower (0.6)	17.2
FA-1008PB1-C							18.2
FA-1008PB2-S							17.2
FA-1008PB2-C							18.2
FA-1210KB1-S	10	1.96(0.2)	15(15)	1470(150)	98(10)	9.8 or lower (1.0)	30.6
FA-1210KB1-C							32.6
FA-1210KB2-S		2.45(0.25)	30(30)				30.6
FA-1210KB2-C							32.6

▲ The thread pitch P1.0 is supplied as well.

### Common Specifications

Range of impact rate	m/s	0.3~1.0
Max. cycle rate	cycle/min	60(45 for the FA-0805 series)
Operating temperature	°C	-5~70

Note) MB X 1.0 is also available as the main body's screw pitch specifications for the FA-0805 series. Please order using the model number FA-0805SB □-S-P1.0 or FA-0805SB □-C-P1.0. However, please note that there are no optional parts for it.

Note) To place an order without a cap, put -S, and to place an order with a cap, put -C.

Note) Cap colour: \*\*1 is white and \*\*2 is black.

### Precautions for Use

- \* Do not use this product without carefully reading the attached owner's manual.
- \* Ensure that an external stopper (Stopper nut OP-020\*\*) is also used.
- \* Do not turn the oil inlet screw located at the bottom of the main unit.
- \* Ensure that sufficient mounting strength is secured for this product. (As a guideline, it should be 2 to 3 times the maximum drag listed in the catalogue.)
- \* Do not use this product in a vacuum or a location where it may come in contact with oil.
- \* Ensure that an eccentric load is not applied to the soft absorber. (Allowable eccentric angle: within  $\pm 2.5^\circ$ )

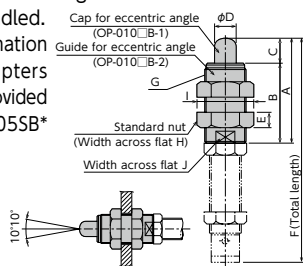
●Products specification might be changed without notice.

## Optional Parts

### Eccentric angle adaptor OP-010SB, PMB, PB, KB

Model
OP-010SB
OP-010PMB
OP-010PB
OP-010KB

- Screw the eccentric angle adaptor into the main unit until the cap for the eccentric angle and the piston rod form a tight connection. While maintaining this position, fasten the main unit's nut until secured.
- Use the eccentric angle adaptor when the eccentric angle is 2.5° or larger.
- The main unit can also be used as a stopper.
- Use it with a capless soft absorber.
- The maximum operating eccentric angle with an eccentric angle adaptor is ±10°.
- The caps and the guides for inclined use are not unbundled.
- The inclination angle adaptors are not provided for FA-0805SB\* -SP1.0.



Note) Material of cap for eccentric angle: POM

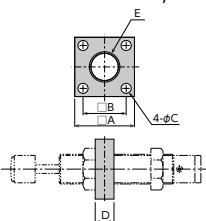
Model	A	B	C	φD	E	F
OP-010SB	28	23	5	6	4	44.5
OP-010PMB	28	23	5	8	6	44.5
OP-010PB	38	30	8	8	6	62.8
OP-010KB	48	38	10	10	5	81.8

Model	G	H	I	J	Mass g
OP-010SB	M12×1	14	16.2	10	13
OP-010PMB	M16×1.5	19	21.9	13	29
OP-010PB	M16×1.5	19	21.9	13	35
OP-010KB	M18×1.5	21	24.3	14	48

### Square flange OP-040SB, PB, KB

Model
OP-040SB
OP-040PB
OP-040KB

- Once the attachment site is determined, use the main unit's nut to securely fasten in place.

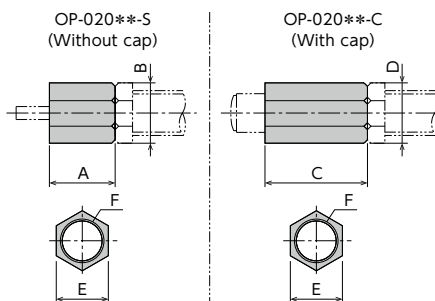


Model	A	B	C	D	E	Mass g
OP-040SB					M8×0.75	17
OP-040PB	25	18	3.2	4	M10×1	16
OP-040KB					M12×1	15

### Stopper nut OP-020SB, PB, KB

Model
OP-020SB-S
OP-020SB-C
OP-020PB-S
OP-020PB-C
OP-020KB-S
OP-020KB-C

- Adjust so that it stops 1mm before the stroke end, and fasten with the main unit's nut until secured.



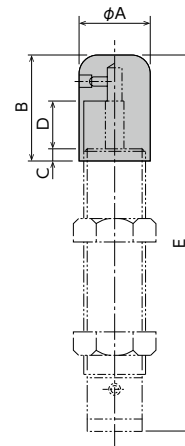
Note) When attaching, make sure that the side without a bearing chamfer is the impact surface.

Model	A	B	C	D	E	F	Mass g
OP-020SB-*	10	12.7	15	12.7	11	M8×0.75	S 5
							C 7
OP-020PB-*	10	15	16	15	13	M10×1	S 6
							C 9
OP-020KB-*	12	16.2	16	16.2	14	M12×1	S 6
							C 8

### Liquid-proof cap -060

Model
FA-1005PMB□-C-060
FA-1008PB□-C-060
FA-1210KB□-C-060

- A drip-proof cap is fitted on the unit on delivery.
- Liquid-proof caps are not sold separately.
- Ensure that the cap is facing upward. If the cap is facing sideways or downward, it cannot provide an effective means for liquid proofing.

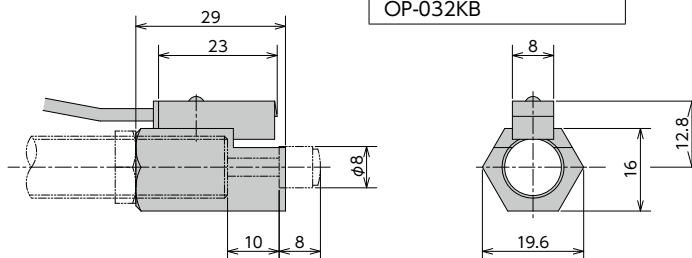


Model	φA	B	C	D	E	Mass g
FA-1005PMB□-C-060	13	15	3	5	39	9
FA-1008PB□-C-060	13	18	3	8	53	10
FA-1210KB□-C-060	17	28	9.5	10	68.5	25

- Model indication 1 or 2 is inserted in □.

### Holder with switch OP-030KB-2

Model
OP-032KB



Mass 38g

- Although a holder with a switch can be ordered on its own, we strongly recommend ordering one with the main unit. Please include the main unit's model number when placing an order.
- For switch specifications and precautions for use, please refer to page 23.

### Standard nuts are sold separately as well.

Applicable Models	Model
FA-0805SB	M08 nut
FA-0805SB P1.0	M08-P1 nut
FA-1005PMB	M10 nut
FA-1008PB	M10 nut
FA-1210KB	M12 nut